

Compact Simple, Reliable Compliance



Maximized Safety for You and Your Customers

Improve regulatory compliance, product quality and customer safety with Mettler-Toledo Safeline performance and reliability.



Total Flexibility through a Choice of Options

A range of standard aperture sizes combined with single or optional dual frequency operation provides maximum versatility and shorter acquisition times.



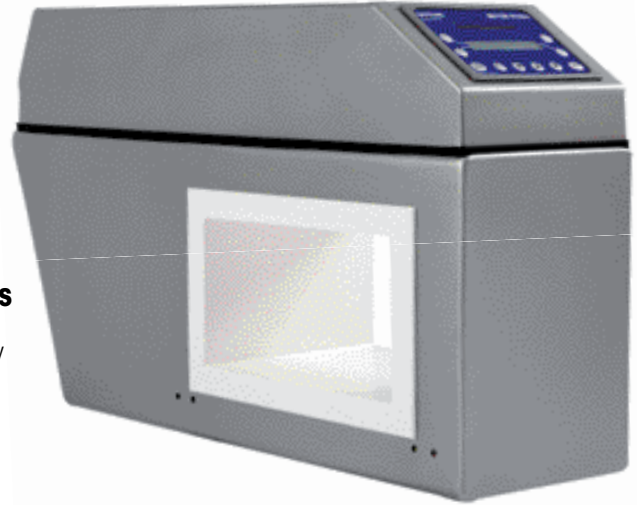
Suitable for Use in Wet or Dry Environments

A choice of a 304 stainless steel or painted aluminum case allows you to select the appropriate version for your plant environment. Compact is not designed for high pressure wash down.



Fully Integrated Detector and Power Supply

With no need to mount a separate power supply, the Compact metal detector saves space and allows quick, easy installation with a one point power connection.



Safeline Compact

The Safeline Compact metal detector is an effective and economic inspection solution for dry and light wash down environments in a variety of industries. Incorporating Mettler-Toledo Safeline patented "zero-metal-free-zone" (ZMFZ) technology, detectors can be installed in the smallest of spaces to minimize overall line length. The demands of regulatory bodies and customers are met by the delivery of excellent performance with high sensitivity for the detection of ferrous, non-ferrous and stainless steel contaminants.

The new integrated, space-saving package combines the detection head and power supply in one unit. It is available as a stand-alone unit or fully integrated into a Mettler-Toledo Safeline conveyor system with automatic stop alarms or reject mechanisms. The dual-frequency option insures that it can handle multiple product types as user needs evolve.

Compact

Simple, Reliable Compliance

Features and Benefits

- Space Saving Design
- Maximized Operator Efficiency
- Inspection Flexibility
- Hygienic Design for Effective Product Inspection



Space Saving Design

The slim-line Compact detector uses patented Mettler-Toledo Safeline technology to reduce the size of the metal-free zone required around the search head. This delivers reductions in system length and allows installation to take place in the most restricted of spaces.

Maximized Operator Efficiency

Mettler-Toledo Safeline's proven software platform is utilized as the operating system for the search head. This is accessed through a robust, menu driven, easy to use key panel which provides:

- A flexible, multiple language interface for maximum operator efficiency and minimized training requirements.
- Rapid set-up and change-over for reduced downtime between production settings changes.
- Built-in performance verification software for efficient QA procedures.

Inspection Flexibility

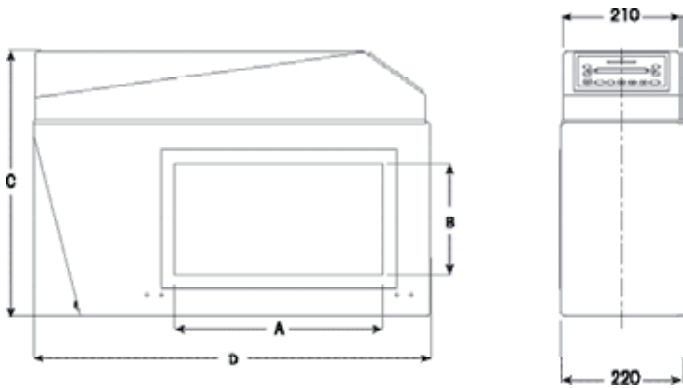
Compact search heads are available in single or dual frequency versions. This makes them ideally suited for the inspection of all foods packed in paper, carton board, plain poly or metallized film.

The option of dual frequency technology enables a wider range of differing products to be inspected with a single machine.

Hygienic Design for Effective Product Inspection

Compact detectors are designed and built in accordance with ISO9001 certified procedures and comply with all CE requirements.

Units for dry wipe down environments have a silver painted finish and are sealed to IP54 standard. For more demanding environments, stainless steel units are available sealed to IP65 standard. These are suitable for light wash-down environments.



*All dimensions in mm

Dimensions

Aperture Size (A x B)	Overall Height (C)	Overall Depth (D)
275 x 150	429 mm	715 mm
275 x 200	479 mm	715 mm
375 x 150	429 mm	715 mm
375 x 200	479 mm	715 mm
450 x 150	429 mm	790 mm
450 x 200	479 mm	790 mm

Frequency Options

Single Frequency	25 kHz	100 kHz	300 kHz
Dual Frequency	25/100 kHz	25/300 kHz	100/300 kHz

Safeline - making your products safer

Mettler-Toledo Safeline

6005 Benjamin Road, Tampa, FL 33634, USA

Toll Free: 800-447-4439

Tel: 813-889-9500

Fax: 813-881-0840

E-mail: safeline.marketing@mt.com

Subject to technical changes.
© 9/08 Mettler-Toledo Safeline
Printed in the United States
SMD-09

www.mt.com/safelineus

For more information