



TS Techniek bv

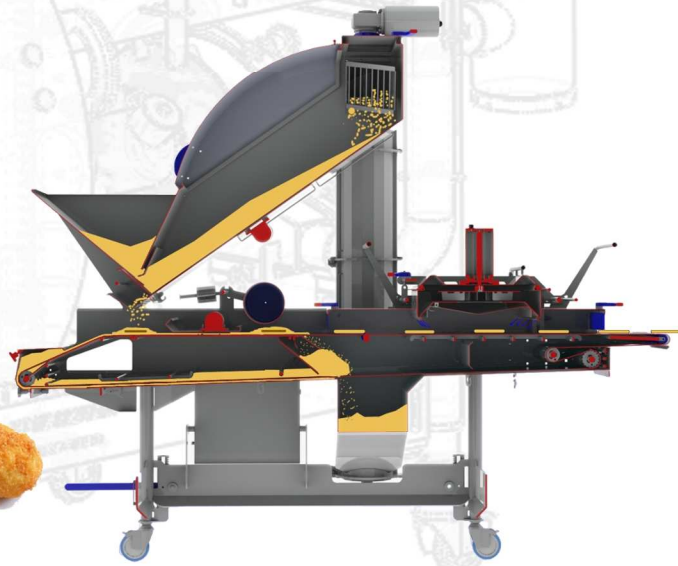
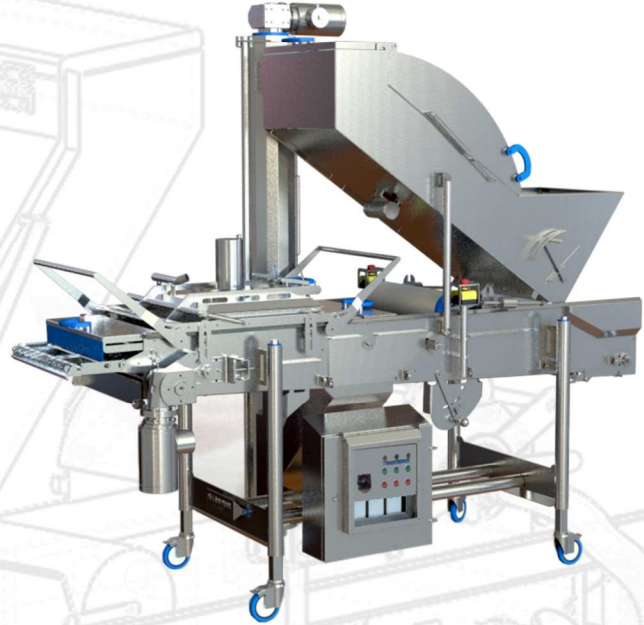
FOOD ENGINEERING & MACHINERY

SUPER BREADER

For standard crumbs and Japanese style crumbs.

Standard design features:

- Optimized process and handling ensuring careful treatment of product
- Belt width 400/600/1000 mm
- Stainless steel motors
- Frequency controlled stainless steel hygienic blower
- Frequency controlled belt speed
- Vibrating plate
- Pressure roll
- Crumbs distribution on top and bottom of product
- Hopper and feeding system designed to minimize the amount of circulating crumbs
- Hygienic and ergonomic design, easy to clean



TS Techniek B.V.
Ambachtsweg 1A
2641 KS PIJNACKER
The Netherlands

Telephone: +31 (0) 15 369 85 53
Fax: +31 (0) 15 369 90 84
E-mail: info@tstechniek.nl

www.tstechniek.nl

