



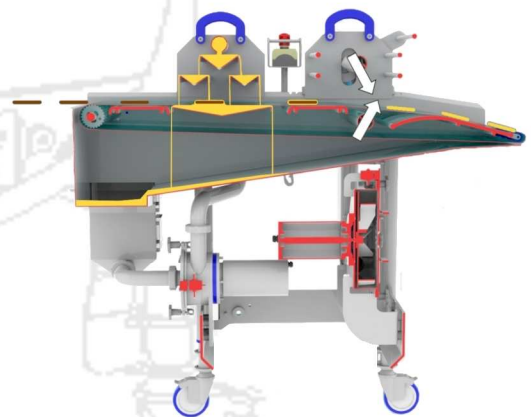
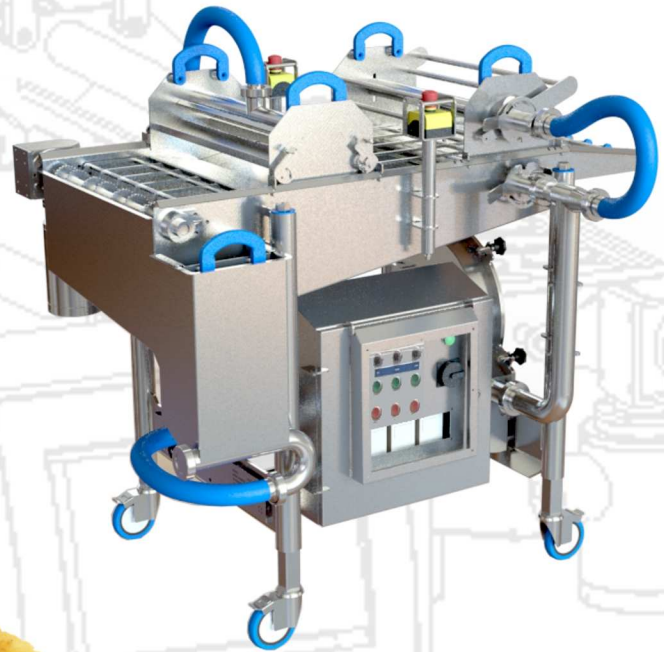
TS Technik bv

FOOD ENGINEERING & MACHINERY

SUPER COATER

Standard design features:

- Optimized process and handling ensuring careful treatment of product
- Belt width 400/600/1000 mm
- Double air knife
- Stainless steel motors
- Frequency controlled stainless steel hygienic blower
- Frequency controlled belt speed
- No separate parts for cleaning
- Easy adjustable frame height by hand
- Full coverage of product with batter from all sides
- Hygienic and ergonomic design, easy to clean



TS Technik B.V.
Ambachtsweg 1A
2641 KS PIJNACKER
The Netherlands

Telephone: +31 (0) 15 369 85 53
Fax: +31 (0) 15 369 90 84
E-mail: info@tstechnik.nl

www.tstechnik.nl

