

WEILER[®]
Food Processing Systems

DOMINATOR[™]

14

PRE-GRINDER



A high-volume grinder designed with advanced innovative features able to deliver higher productivity as well as improved product texture. Designed specifically for fresh meat pre-grind applications.

*Note: Safety labels removed for clarity.
All guards and labels must be in place while operating.*

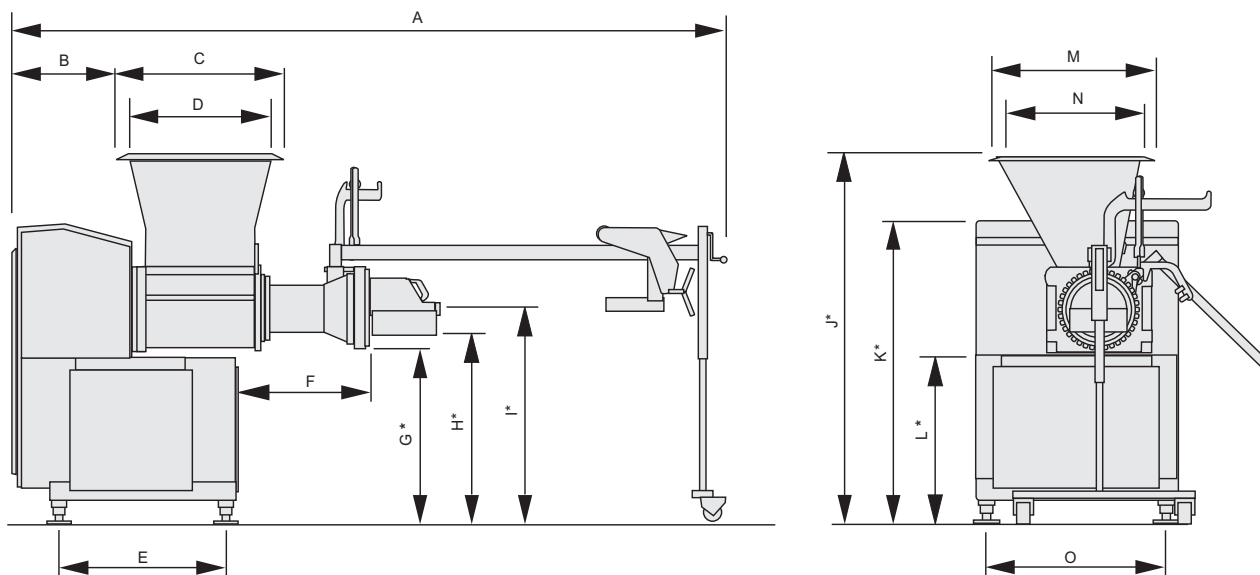
- Engineered to provide a ***Balanced Flow*** of product.
 - Improved product texture
 - More consistent particle definition and dimension
 - Higher productivity
 - Improved hard tissue and bone removal
- User friendly assembly and disassembly.
- Reduced operating costs.
- Increased life expectancy of gearbox and feedscrew splines.

SPECIFICATIONS:

- **DRIVE:** 100 HP (75 kw).
- **CONSTRUCTION:** 304 stainless steel, except for ring (tinned).
- **SCREW:** 9" (229 mm) diameter.
- **KNIFEHOLDER:** 3 or 6 blade available.
- **WEIGHT (Approx.):** Unskidded: 4981 lbs. (2259 kg); Skidded: 5251 lbs. (2382 kg).
- **GRINDER PLATE SIZE:** 14" (356 mm) diameter. Plate hole sizes available from 1/4" (6 mm) to 2" (50 mm) and larger.
- **GRIND RATE*:** Pre-grind: 1,800 - 2,000 lbs./min. (816 - 907 kg./min.)
108,000 - 120,000 lbs./hr. (48,960 - 54,420 kg./hr.)

* Actual grind rate will depend on plate hole size, raw material, temperature, and feeding method.

DIMENSIONS:



| A | B | C | D | E | F | G* | H* | I* | J* | K* | L* | M | N | O |
|--------|-------|-------|-------|-------|-------|-------|--------|--------|--------|--------|-------|-------|-------|--------|
| 170 | 24 | 38 | 32 | 38 | 30 | 39 | 42 | 48 | 83 | 68 | 37 | 38 | 32 | 41 |
| (4318) | (610) | (965) | (813) | (965) | (762) | (991) | (1067) | (1219) | (2108) | (1727) | (940) | (965) | (813) | (1041) |

Dimensions shown are rounded in inches (mm).

* Up to 3" (76 mm) height adjustment.

Dimensions and specifications subject to change without notice.

Note: Dimensions shown should not be used for installation purposes. Please request a certified approval drawing from Weiler.

WEILER® and Company, Inc.

www.weilerinc.com email: sales@weilerinc.com

Corporate Headquarters: Whitewater, Wisconsin U.S.A.

USA: 262-473-5254 • 800-558-9507 • Fax: 262-473-5867 • Europe: +44 (0) 1454 320900 • Fax: +44 (0) 1454 326262

Grinders • Mixers • Conveyors • Mixer Grinders • Separators • Complete Systems